

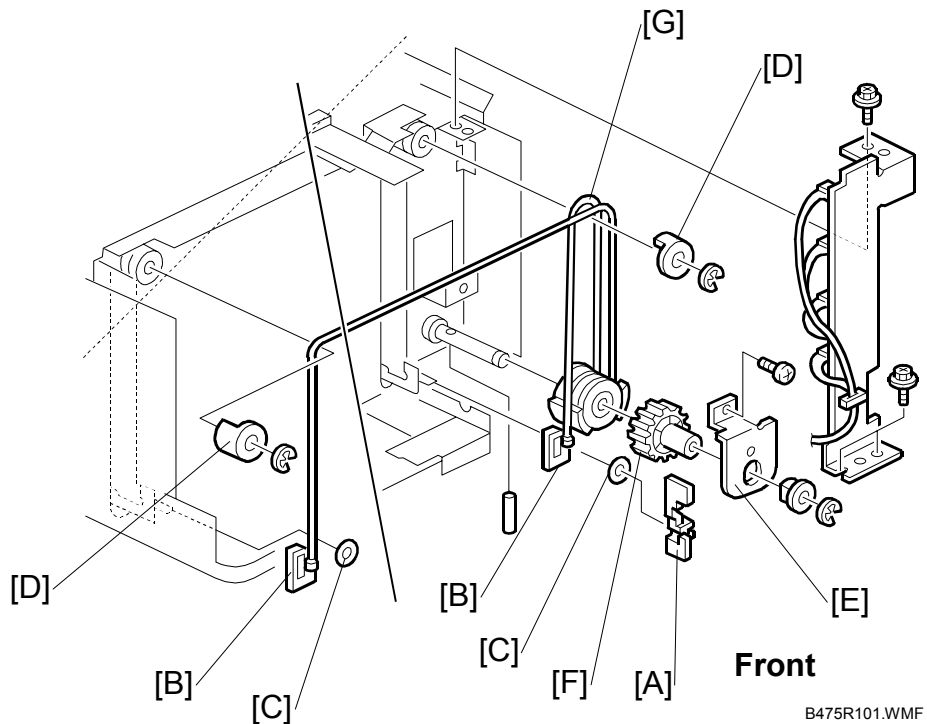
A3/DLT TRAY KIT
(Machine Code: B475)

1. REPLACEMENT AND ADJUSTMENT

1.1 BOTTOM PLATE LIFT WIRE REPLACEMENT

1.1.1 REMOVING THE LIFT WIRE

NOTE: The procedures for front and rear wire removal are the same.



Remove the A3/DLT tray from the machine.

Inner cover (🔩 x 2)

[A]: Sensor bracket (🔩 x 1)

[B]: Wire stoppers

[C]: Wire stopper rings

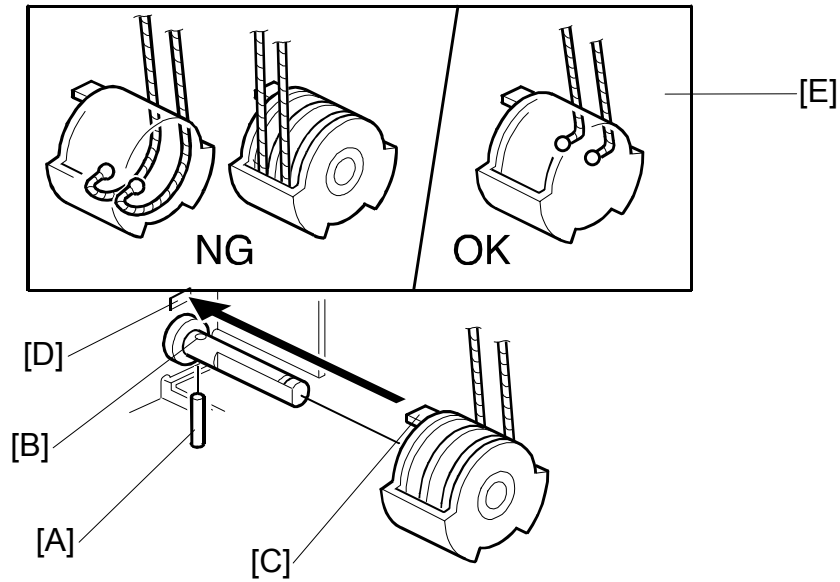
[D]: Wire covers x 2 (Ⓢ x 1 each)

[E]: Bracket (🔩 x 1, Ⓢ x 1, Bushing x 1)

[F]: Gear

[G]: Bottom plate lift wire

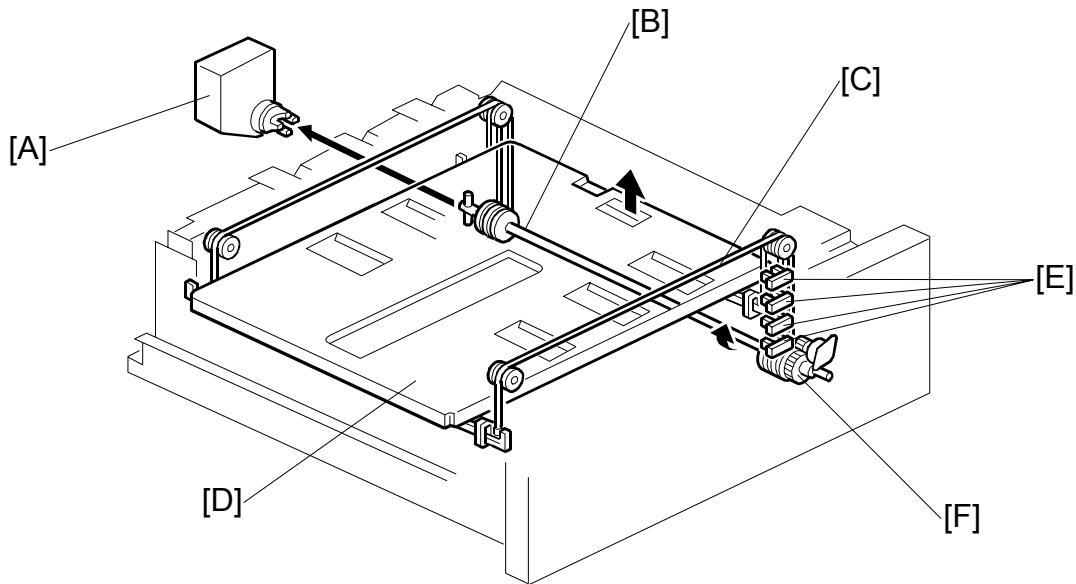
1.1.2 INSTALLING THE LIFT WIRE



B475R061.WMF

1. Put the positioning pin [A] in hole [B]
2. Fit the projection [C] into slot [D].
3. Attach the wire as shown [E].
NOTE: Make sure that the wires are not crossed.

2. DETAILS



B475D101.WMF

With this option installed, only one stack of paper can be loaded.

Lift motor [A] → Shaft and pulleys [B] → Tray wires [C] → Tray bottom plate [D].

An array of four paper height sensors [E] provide paper supply detection. As each sensor is actuated, a message (percent of paper remaining) alerts the user about the remaining amount of paper. When the bottom sensor [F] of the four sensors is actuated, the paper end message is displayed.